



SP/A pole adaptor



□ **Pole adaptor
(SP/A)**

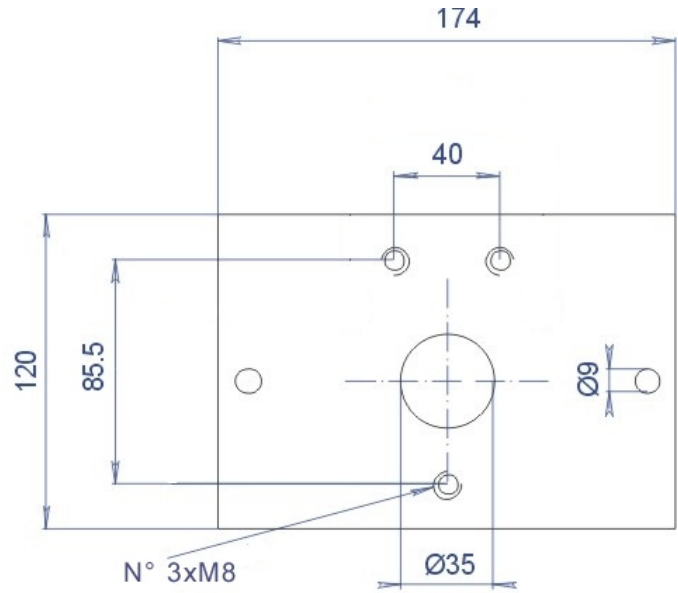
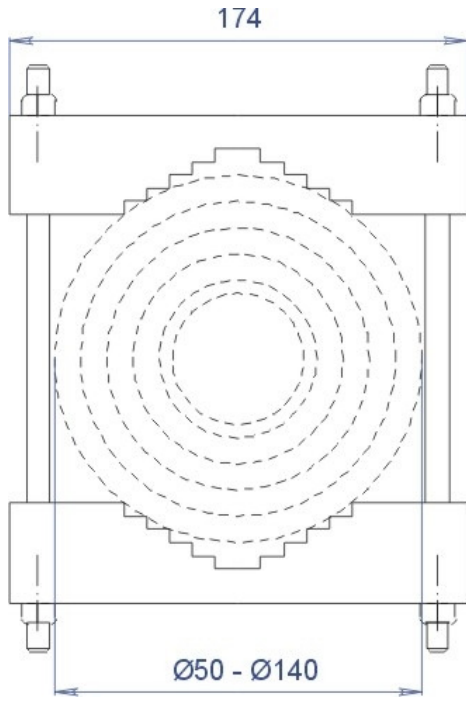
Zinc metal, polyester powder coated RAL 7035 (*light grey*)
Stainless steel bolts and screws

This pole mount adaptor allows two housing brackets to be installed. Suitable for poles having a diameter between 50 mm. and 140 mm., it offers outstanding stability and is also equipped with a central hole for the passage of the cables.

Weight: 1,7 kg.
25 kg. load rating

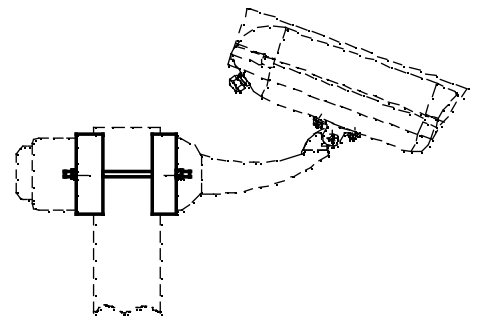
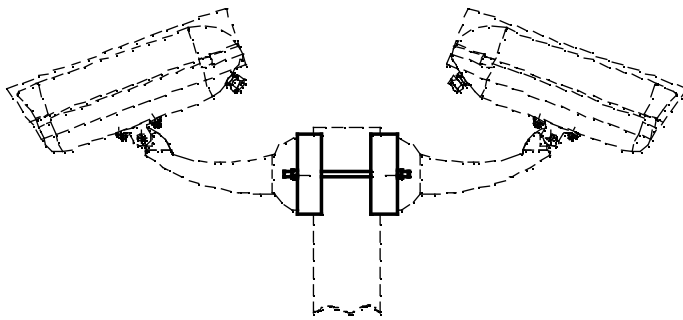
- DATA SHEET -

pole adaptor



the values are in millimeters

example of installation



Specifications are subject to change without notice, weights and dimensions are indicative.

REV. 0611

GLOBAL PROOF S.r.l.

Via dell'Industria, 10 36013 Piovene Rocchette (VICENZA) ITALY
Phone +39.0445.396190 Fax +39.0445.395000

info@globalproof.it

www.globalproof.it

SPIA