

DATASHEET

TBX6320

Compact Full HD Megapixel IP camera made of stainless steel

- Made of AISI 316L stainless steel for marine / aggressive environments.
- IP67 weatherproof rating.
- Dynamic range for reliable capture of details in overexposed situations.
- Integrated wiper (model TBX6320WP)
- Max. Resolution 2 Megapixel (1920 x 1080)
- 32x 4.44 ~ 142.6mm optical zoom
- Max. 60 fps @ all resolutions (H.265 / H.264)
- H.265, H.264, MJPEG Codec, multiple streaming
- Day & Night (ICR), WDR (120dB), Defog
- Intelligent Dynamic Noise Reduction.
- Easy installation and placement.



IP 67
STANDARD

FULL
HD
1080p

P
E



maintenance free

Compact Full HD Megapixel IP camera made of stainless steel for discreet surveillance

TBX6320 is a compact Megapixel IP camera specially designed and optimized with an extremely performing sensor for applications that require surveillance in scenes with different lighting levels; the extended dynamic mode ensures detailed images even in critical lighting conditions.

The camera is available in 1080p resolution with motorized zoom, autofocus and delivers up to 60 images per second. The connection system facilitated by means of a Plug & Play connector with quick coupling allows to optimize installation and/or maintenance times. Available with integrated wiper (depends on model).

The construction in sturdy electropolished AISI 316L stainless steel makes it particularly suitable for installation in particularly aggressive environments (steel mills, chemical industries, etc.) or in areas with high salinity such as coastal areas, ports, oil rigs, etc.

DATASHEET

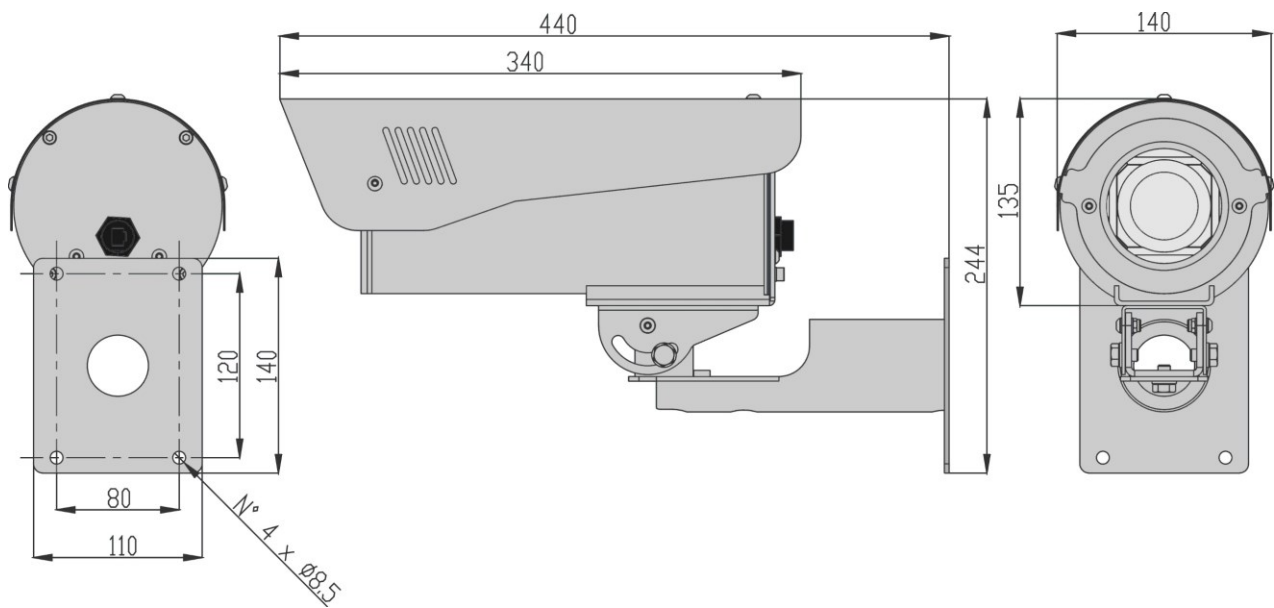
Video	
Imaging Device	1/2.8" 2MP CMOS
Effective Pixels	1944(H)x1212(V)
Min. Illumination	Color: 0.05 lux(F1.6, 1/30sec) B/W: 0.005 lux(F1.6, 1/30sec)
Video Out	CVBS: 1.0 Vp-p / 75Ω composite, 720x480(N), 720x576(P), for installation
Lens	
Focal Length (Zoom Ratio)	4.44~142.6mm(32x) motorized varifocal
Max. Aperture Ratio	F1.6(Wide) ~ F4.4(Tele)
Angular Field of View	H: 61.8°(Wide)~2.19°(Tele), V: 36.2°(Wide)~1.24°(Tele)
Min. Object Distance	1.5m(4.92ft)
Focus Control	Auto, One shot AF
Lens Type	DC auto iris
Operational	
Camera Title	Displayed up to 85 characters
Day & Night	Auto(ICR)
Backlight Compensation	BLC, HLC, WDR, SDR
Wide Dynamic Range	120dB
Digital Noise Reduction	SSNR V
Digital Image Stabilization	Support
Defog	Support
Motion Detection	8ea, 8point polygonal zones
Privacy Masking	32ea, polygonal zones - Color: Grey/Green/Red/Blue/Black/White - Mosaic
Gain Control	Low / Middle / High
White Balance	ATW / AWC / Manual / Indoor / Outdoor
LDC	Support
Electronic Shutter Speed	Minimum / Maximum / Anti flicker (2~1/12,000sec)
Video Rotation	Flip, Mirror
Analytics	Defocus detection, Directional detection, Fog detection, Face detection, Motion detection, Digital auto tracking, Appear/Disappear, Enter/Exit, Loitering, Tampering, Virtual line, Audio detection, Sound classification
Alarm I/O	Input 1ea / Output 1ea
Alarm Triggers	Analytics, Network disconnect, Alarm input
Alarm Events	File upload via FTP and E-Mail Notification via E-Mail SD/SDHC/SDXC or NAS recording at Event Triggers Alarm output Handover

DATASHEET

Audio In	Selectable(Mic in/Line in), Supply voltage: 2.5VDC(4mA), Input impedance: 2K Ohm
Audio Out	Line out, Max. output level: 1Vrms
Network	
Ethernet	RJ-45(10/100BASE-T)
Video Compression	H.265/H.264: Main/Baseline/High, MJPEG
Resolution	1920x1080, 1280x1024, 1280x960, 1280x720, 1024x768, 800x600, 800x448, 720x576, 720x480, 640x480, 640x360, 320x240
Max. Framerate	H.265/H.264 : Max. 60fps/50fps(60Hz/50Hz) MJPEG: Max. 30fps/25fps(60Hz/50Hz)
Smart Codec	Manual(5ea area) WiseStream II
Bitrate Control	H.264/H.265: CBR or VBR MJPEG: VBR
Streaming	Unicast(20 users) / Multicast Multiple streaming(Up to 10 profiles)
Audio Compression	G.711 u-law /G.726 Selectable G.726(ADPCM) 8KHz, G.711 8KHz G.726 : 16Kbps, 24Kbps, 32Kbps, 40Kbps AAC-LC : 48Kbps at 16KHz
Protocol	IPv4, IPv6, TCP/IP, UDP/IP, RTP(UDP), RTP(TCP), RTCP,RTSP, NTP, HTTP, HTTPS, SSL/TLS, DHCP, FTP, SMTP, ICMP, IGMP, SNMPv1/v2c/v3(MIB-2), ARP, DNS, DDNS, QoS, PIM-SM, UPnP, Bonjour, LLDP, SRTP
Security	HTTPS(SSL) Login Authentication Digest Login Authentication IP Address Filtering User access Log 802.1X Authentication(EAP-TLS, EAP-LEAP)
Edge Storage	Micro SD/SDHC/SDXC 1slot 256GB
Application Programming Interface	ONVIF Profile S/G/T SUNAPI(HTTP API)
Web Viewer	Supported OS: Windows 7, 8.1, 10, Mac OS X 10.10, 10.11, 10.12 Recommended Browser: Google Chrome Supported Browser: MS Explore11, MS Edge, Mozilla Firefox(Window 64bit only), Apple Safari(Mac OS X only)
Memory	1024MB RAM, 256MB Flash
Environmental	
Operating Temperature /Humidity	-20°C ~ +60°C (-4°F ~ +140°F) / Less than 90% RH
Storage Temperature / Humidity	-30°C ~ +60°C (-22°F ~ +140°F) / Less than 90% RH
Electrical	
Input Voltage	PoE(IEEE802.3at, Class3)
Power Consumption	PoE: 6,8W (heater OFF) / 18 W (heater ON)
Mechanical	
Material	AISI 316L stainless steel electropolished
Product dimensions / weight	See technical drawings below, 5Kg

DATASHEET

TECHNICAL DRAWINGS



the values are in millimeters

Specifications are subject to change without notice, weights and dimensions are indicative.

rev. 2508

GLOBAL PROOF S.r.l.

Via dell'Industria, 10 36013 Piovene Rocchette (VICENZA) -ITALY-
phone +39.0445.396190 fax +39.0445.395000

email: info@globalproof.it

home page : www.globalproof.it